

Jumbo Unwinder



Stop - Start Unwinding

The Dimuken Unwinder model DC 8406-2250 is designed to operate in a stop - start situation at the commencement of a reel fed continuous off-line finishing process. It can be used in conjunction with a Laser Printer, Hologram Encoder, Rotary Diecutter, or other free standing finishing module. The modular design of the system allows the unit to be moved to suit the requirements of the job and production location.

Usage

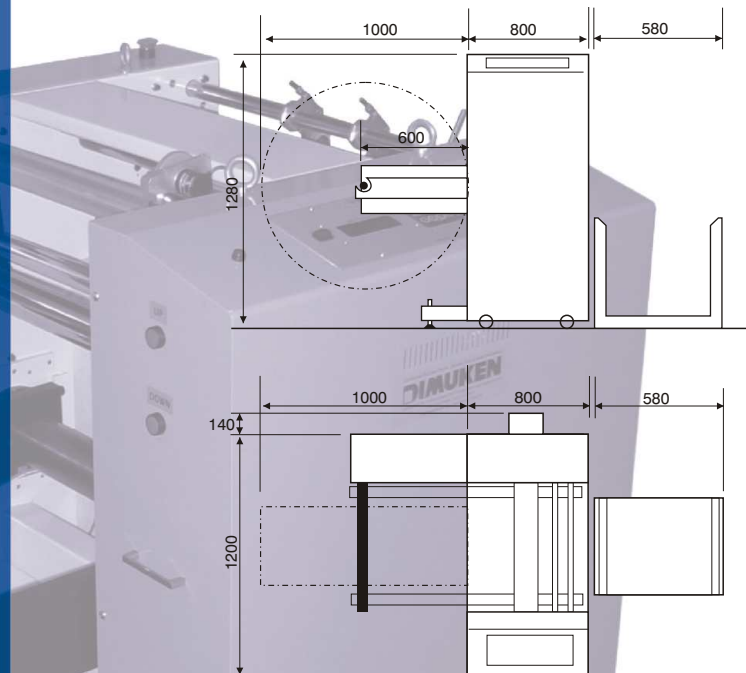
This machine is designed to operate on a slack web principle. A Tandem Control Unit (TCU) web sensor is placed at the out-feed side of the unit so that when there is sufficient paper in the TCU the Unwinder will stop and only start up again as the slack in the web is taken up by the following machine and moves above the sensors.

Configuration

- Motorized reel lift
- Reel braking by means of a powder brake
- TCU (web sensor) to interface with the following machine
- Heavy duty wheels for easy relocation
- Perforating and Slitting wheels can be supplied for in line processing of the reel.

Specification

Max. reel Diameter	120cm
Core Diameter	70 or 76mm
Max. Web Width	52cm
Max. Speed	100m/minute
Paper Weight	40gms/m ² - 200gms/m ²
Power Supply	3phase 380/415volt 50/60hz
Power Consumption	1kw



All dimensions in mm

DIMUKEN

Equipment for the
Business Forms, Security Print
& Label Industries

DIMUKEN (GB) LTD, 33 Stapledon Road,
Orton Southgate, Peterborough, England PE2 6TD

www.dimuken.com

Dimuken have a policy of continuous product development and innovation. The company reserves the right to change specifications in this leaflet without notice.